

With or without terminals



**K 9255**

- 6-25 mm<sup>2</sup>, Cu 3~

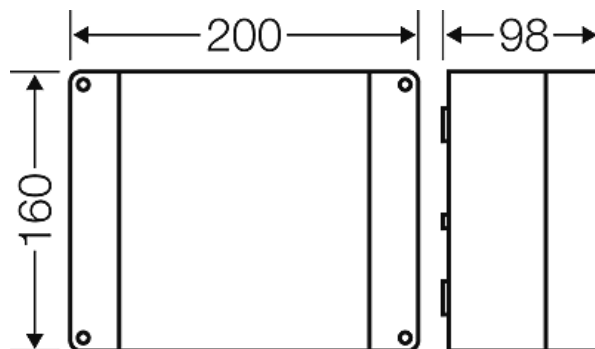


- Replaced by DK 2525 G from 31.12.2017
- with terminals
- 5-pole per pole 6 x 6 mm<sup>2</sup> r / f, 4 x 10 mm<sup>2</sup> r / f, 4 x 16 mm<sup>2</sup> s / f, 4 x 25 mm<sup>2</sup> s / f, 2 x 35 mm<sup>2</sup> s / f
- included cable entry: 3 x ESM 40, sealing range Ø 17-30 mm
- for normal environment and protected outdoor
- colour: grey, RAL 7035

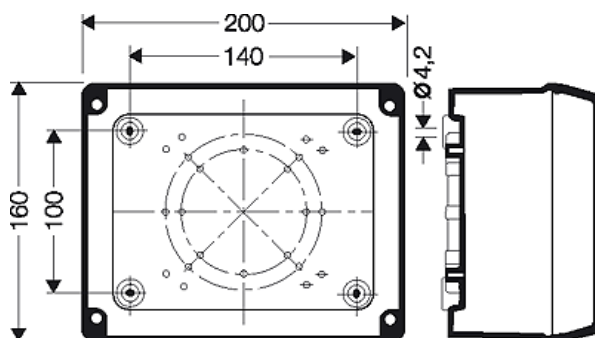
rated insulation voltage	U <sub>i</sub> = 690 V a.c./d.c.
rated current:	102 A
tightening torque for terminal	3.0 Nm
material	PS (Polystyrene)
degree of protection	IP 55 (ESM)
degree of protection	(see cable entry systems LES) IP 65
width	200 mm
height	160 mm
depth	98 mm
weight	0,747 kg
in accordance with	IEC 60670-22

Drawings

Dimension drawing



Detail mass



With or without terminals



**K 9255**

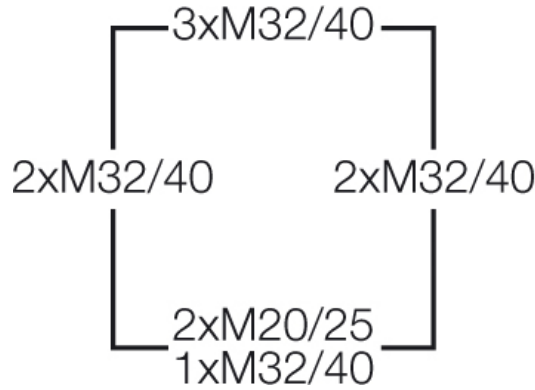
- 6-25 mm<sup>2</sup>, Cu 3~



IP  
ESM  
55

IP  
65

Box walls



**Operating and ambient conditions**

Application area	Suitable for indoor installation and outdoor installation, protected against weather influences
Resistant to occasional cleaning procedures (direct jet)	Resistant to occasional cleaning procedures (direct jet) with high-pressure cleaner without additives, water pressure: max. 100 bar, water temperature: max. 80° C, distance => 0,15 m, in accordance with the requirements IP 69, enclosure and cable glands at least IP 65
Ambient temperature	Average value over 24 hours + 35 °C Maximum value + 40 °C Minimum value - 25 °C
Relative humidity	50% at 40° C short-time 100% at 25° C
Fire protection in the event of internal faults	Demands placed on electrical devices from standards and laws Minimum requirements - Glow wire test in accordance with IEC 60695-2-11: - 650°C for boxes and cable glands - 850°C for parts of insulating material necessary to retain current carrying parts in position
Burning behaviour	Glow wire test IEC 60695-2-11: 750 °C UL Subject 94: V-2 flame-retardant self-extinguishing
Degree of protection against mechanical load	IK07 (2 Joule)
Toxic behaviour	halogen-free silicone-free "halogen-free" in accordance with the examination of the cables and insulated wires - corrosiveness of fumes - as per IEC 60754-2
Note:	For material properties see technical data.